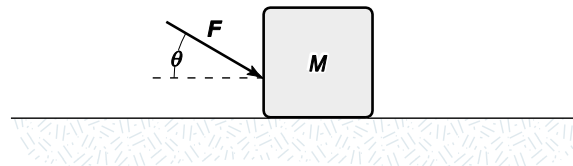


## Skip Problems 6, 7, 10 and 13

### Sample exam 2b

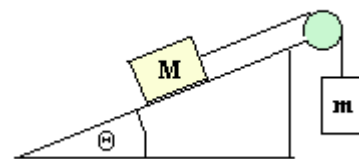
1. A block is pushed across a horizontal surface by the force shown. If the coefficient of kinetic friction between the block and the surface is 0.30,  $F = 20$  N,  $\theta = 30^\circ$ , and  $M = 3.0$  kg, what is the magnitude of the acceleration of the block?

- A)  $2.8 \text{ m/s}^2$
- B)  $2.3 \text{ m/s}^2$
- C)  **$1.8 \text{ m/s}^2$**
- D)  $3.8 \text{ m/s}^2$
- E)  $5.4 \text{ m/s}^2$



2. The system shown is on verge of starting moving up the incline. Each block weighs 20 N and an incline angle is  $28^\circ$ . The coefficient of static friction between the block M and the incline is closest to:

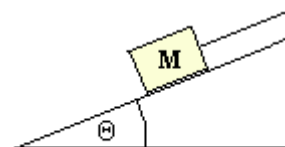
- A) 0.2
- B) 0.3
- C) 0.4
- D) 0.5
- E) **0.6**



3. Traveling at a speed of 21 m/s, the driver of a car suddenly locks the wheels by slamming on the brakes. The coefficient of kinetic friction between the tires and the road is 0.72. How much time does it take for the car to come to stop?

- A) 1 sec
- B) 2 sec
- C) **3 sec**
- D) 4 sec
- E) 5 sec

4. A 1.0-kg block is pushed up a rough  $22^\circ$  inclined plane by a force of 7.0 N acting parallel to the incline. The acceleration of the block is  $1.4 \text{ m/s}^2$  up the incline. Determine the magnitude of the force of friction acting on the block.



- a. **1.9 N**
- b. 2.2 N
- c. 1.3 N
- d. 1.6 N
- e. 3.3 N

5. If the resultant force acting on a 2.0-kg object is equal to  $(3\hat{i} + 4\hat{j})$  N, what is the change in kinetic energy as the object moves from  $(7\hat{i} - 8\hat{j})$  m to  $(11\hat{i} - 5\hat{j})$  m?

- A) +36 J
- B) +28 J
- C) +32 J
- D) **+24 J**
- E) +60 J

6. An all-terrain vehicle of 2000 kg mass moves up a  $15.0^\circ$  slope at a constant velocity of 6.00 m/s. The rate of change of gravitational potential energy with time ( power) is

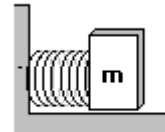
- A) 5.25 kW.
- B) 24.8 kW.
- C) 30.4 kW.**
- D) 118 kW
- E) 439 kW.

7. A 10-kg object is dropped from rest. After falling a distance of 50 m, it has a speed of 26 m/s. How much work is done by the dissipative (air) resistive force on the object during this descent?

- A)  $-1.3$  kJ
- B)  $-1.5$  kJ**
- C)  $-1.8$  kJ
- D)  $-2.0$  kJ
- E)  $-2.3$  kJ

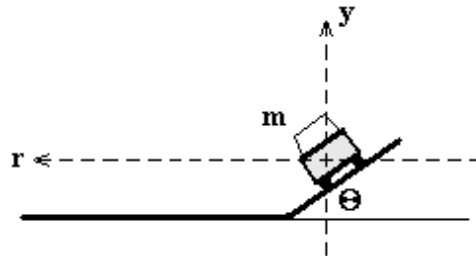
8. A horizontal spring with a 10000 N/m spring constant is compressed 0.08 m, and a 12-kg block is placed against it. When the block is released, the block shoots forward along a horizontal surface that exerts 8 N friction force on the block. How far from the original position does the block travel before coming to a stop?

- A) 3.2 m
- B) 4.0 m**
- C) 6.4 m
- D) 7.0 m
- E) 8.0 m



9. At what angle should a curve of radius 150 m be banked, so cars can travel safely at 25 m/s without relying on friction?

- A)  $\theta = 6.7^\circ$
- B)  $\theta = 9.5^\circ$
- C)  $\theta = 12.0^\circ$
- D)  $\theta = 18.1^\circ$
- E)  $\theta = 23.0^\circ$**

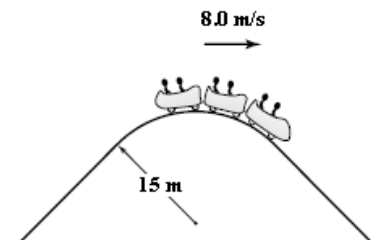


10. A certain pendulum consists of a 2-kg mass swinging at the end of a string (length = 2.0 m). At the lowest point in the swing the tension in the string is equal to 30 N. What angle will the string make with a vertical when the mass reaches its maximum height?

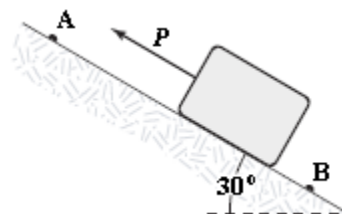
- A)  $42.7^\circ$**
- B)  $28.4^\circ$
- C)  $12.5^\circ$
- D)  $56^\circ$
- E)  $8.8^\circ$

11. A roller coaster track has a hill with a circular curve of radius  $r = 15$  m. What is the normal force on the 60-kg passenger when the roller coaster passes the hill at 8 m/s?

- A) 112 N
- B) 186 N
- C) 332 N**
- D) 588 N
- E) 844 N

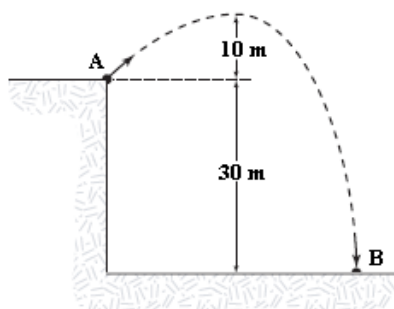


12. A 2.0-kg block slides down a frictionless incline from point A to point B. A force (magnitude  $P = 3.0\text{ N}$ ) acts on the block between A and B, as shown. Points A and B are 2.0 m apart. If the kinetic energy of the block at A is 10 J, what is the kinetic energy of the block at B?



- A) 27 J
- B) 20 J
- C) **24 J**
- D) 17 J
- E) 37 J

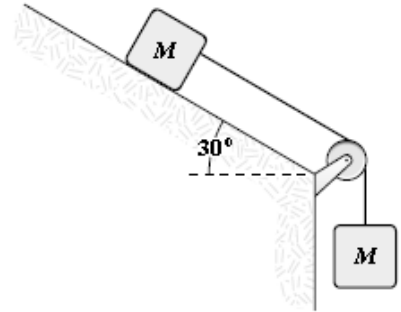
13. A 0.04-kg ball is thrown from the top of a 30-m tall building (point A) at an unknown angle above the horizontal. As shown in the figure, the ball attains a maximum height of 10 m above the top of the building before striking the ground at point B. If air resistance is negligible, what is the value of the kinetic energy of the ball at B minus the kinetic energy of the ball at A ( $K_B - K_A$ )?



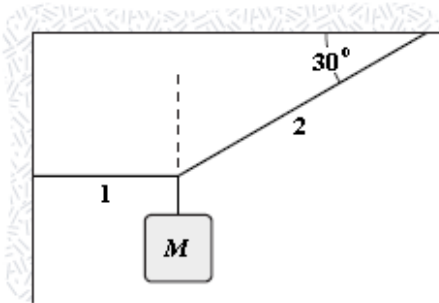
- A) **12 J**
- B) -12 J
- C) 20 J
- D) -20 J
- E) 32 J

14. If  $M = 2.2 \text{ kg}$ , what is the tension in the connecting string? The pulley and all surfaces are frictionless.

- a. 2.8 N
- b. 12.2 N
- c. 9.4 N
- d. 5.4 N**
- e. 1.2 N

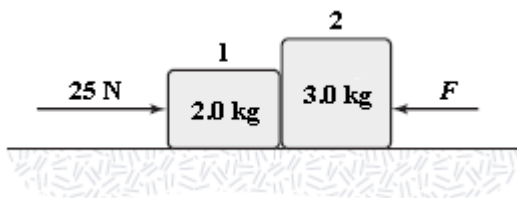


15. If  $M = 2.0 \text{ kg}$ , what is the tension in string 1?



- a. 1.2 N
- b. 11 N
- c. 34 N**
- d. 3.5 N
- e. 40 N

16. If  $F = 5.0 \text{ N}$ , what is the magnitude of the force exerted by block 2 on block 1?



- a. 17 N**
- b. 19 N
- c. 21 N
- d. 23 N
- e. 5.0 N